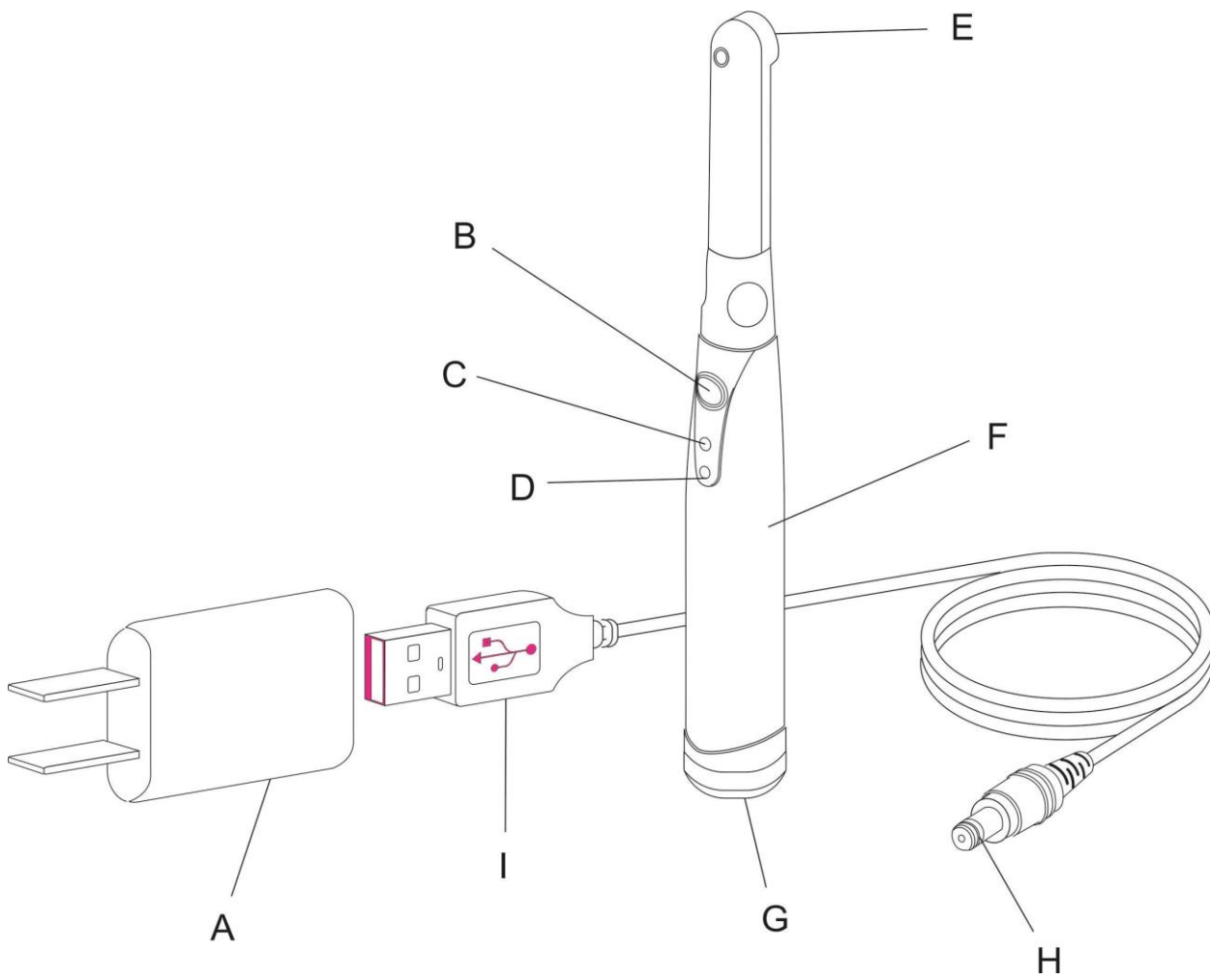


Fig 1



- A: AC/DC Wall Plug Adapter
- B: Power Button
- C: Blue Mode LED Signal
- D: Orange LED Battery Signal
- E: Light Output Port
- F: LED Curing Light Handpiece
- G: Lithium-Ion Battery
- H: DC Plug
- I: USB 2.0

Product Description

IOS LED CURING LIGHT (see figure 1) is a revolutionary LED dental curing light utilizing a light emitting diode (LED) for the polymerization of composite materials that contain the photo-initiator camphorquinone (CQ).

Precaution:

The LED CURING LIGHT intensity can result in build up of heat around the tip of the device.

Prospective users are asked to take extra precaution to prevent direct contact with the skin, oral mucous membrane, or the gingiva during use.

The device is for professional use only.

Contents (See Fig.1)

- AC/DC Wall Plug Adapter
- LED CURING LIGHT Handpiece
- USB Cable
- Lithium- Ion Battery
- Instruction Manual

Technical Data

Battery: Lithium-ION. 3.6V nominal 1100 mAh

Wavelength Range: 385-515 nm

Light Intensity: ≥ 1700 Mw/cm²

Total Runtime with Fully Charged Battery: 30 min

Dimensions: Diameter: 25.5 mm, *Length:* 217 mm

Weight: 95 g

AC/DC Wall Plug Adapter- Class II

Input Voltage: 5 VDC-1A

Time to charge Discharged Battery: Max 5 hours

Operating Temperature: 15 °C (55 F-90 °F)

Safety

1. The LED CURING LIGHT must be used in strict accordance with the following operating instructions. International Orthodontic Services accepts no liability for any damage resulting from the use of this unit for any other purpose.
2. Prior to start-up of LED CURING LIGHT make sure that the operating voltage stated on the rating plate is compatible with the available mains voltage. Operation of the unit at a different voltage may damage the unit.
3. Exposure must be restricted to the area of the oral cavity in which clinical treatment is intended.

4. Use only chargers and adapters supplied by IOS. The use of third-party chargers and/or AC/DC wall plug adapters may result in damage to the unit and may be hazardous to users/patients.
5. Do not allow cleaning agents to directly enter the unit as this may cause premature failure. See Maintenance and Care. (See Pag.5).
6. Only a RAYDENT Industry authorized representative can service the unit. Please call International Orthodontic Services for any question. Phone numbers are on the back of this manual.
7. Do not use on patients with a history of photo biological conditions including urticarial solaris or erythropoietic protoporphyria or who are on photosensitizing medications.
8. Suitable blue-light filtering safety goggles must be worn by patient and dentist during use.

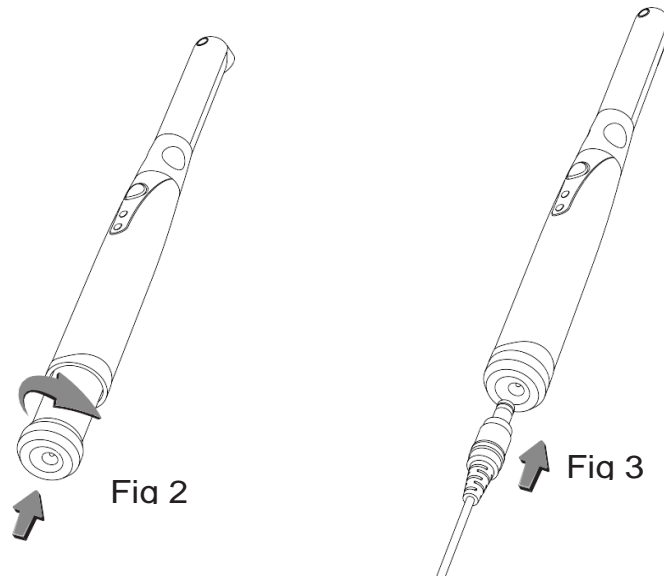
Classification

- Conforms to IEC 60601-1, IEC 60601-1-2, CAN/CSA C22.2 No.601.1-M90



Unpacking / Setup

1. Insure all parts contained within package match the contents list.
2. Carefully insert the Battery into the Handpiece as directed by the arrow. The battery turns the arrow, as shown in Fig 2.
3. Plug the connector of the power supply into the bottom end of the LED CURING LIGHT itself, as shown in Fig 3.
4. Plug the AC/DC wall plug adapter connector into an AC outlet
5. Allow the LED CURING LIGHT. Indicator will turn off when unit is fully charged. Keep the power adapter into the bottom end of the LED CURING LIGHT when not in use.





NOTE: If the battery is not inserted in the device the power adapter cannot be connected.

Operation

The power button on the LED CURING LIGHT turns the light on and off. Simply press the button once to activate or de-activate the light.

SLEEP MODE

The LED CURING LIGHT will go into POWER SAVE mode after 60 seconds of inactivity. Picking up and touching the unit will wake-up the LED CURING LIGHT and automatically return it to the last setting used.

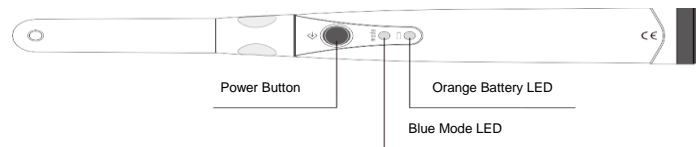
Installing Hygienic Barrier Sleeves

The hygienic barrier sleeve keeps the surface of the LED CURING LIGHT clean and aseptic. The barrier sleeve prevents cross contamination and helps keep dental composite material from adhering to the surface of the lens and wand body.

Quick Mode Guide

Mode Power Level	Standard Mode 1700mW/cm2	Soft Start Mode 100 to1700mW/cm2
Time	20 Seconds	20 Seconds
To Change Modes	Press and hold the power button for 2 seconds and release. LED curing light will cycle to next mode.	
Legend	Solid Blue LEDs	Blinking Blue LEDs

Fig 5



Battery Status

Status	Battery is low	Battery is full	Charging
Legend	Orange LED steady	LED become green then off	Orange LED flashing



NOTE: When the battery is low, attach the power supply directly to the handle. The LED CURING LIGHT can be used normally. While also charging the LED CURING LIGHT.

The LED CURING LIGHT produces several audible signals including:

- **Timing Beeps**

Audible beeps will occur every 5 seconds during operation. After 20 seconds a long beep will sound, and the light automatically will shut-off.

- **Alarms**

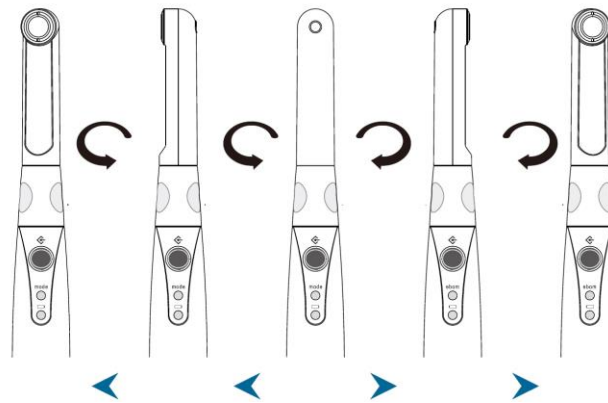
One beep- Power on or Power off

Barrier sleeve

To provide optimum protection, we recommend you apply a clean plastic barrier for each new patient use.

The Probe can be rotated 330°

Fig 4



Accessories and Replacement Parts

SKU No.	Description
19-500-101	Lithium- Ion Battery
19-500-102	AC/DC Wall plug Adapter
19-500-103	USB Charger

Maintenance and care

Keep the power adapter into the bottom end of the LED CURING LIGHT itself when not in use. Take care to keep the bottom of the unit charging jack and the power adapter plug clean and dry.

Recommended disinfecting agents, damp cloth:

- ≤ 3.4 % Glutaraldehyde alcohol
- 70% Isopropyl alcohol
- 1.5% Phenol
- Ethanol 25-50 %
- Quaternary ammonium

Take care to avoid wetting internal parts.

Avoid iodine-based solutions and cleaning agents containing Dimethyl Ammonium Chloride.

Disposal: Dispose of device with its internal battery according to the corresponding legal requirements in your country.

Please contact your local disposal contractor.

Transport and Storage

Ambient Temperature 4°F to 104°F (-20 °C to 40 °C)

Relative Humidity 10% to 90%

Atmospheric Pressure 500 hPa to 1060hPa

Warranty

IOS warranties your LED CURING LIGHT a material and workmanship for 12 months from date of purchase with proper usage. During that twelve-month warranty period, IOS will repair or replace a defective unit.

Please call IOS Customer Service for any additional questions, comments or product information.

Phone numbers are on the back of this manual.

Defects caused by misuse, neglect, accident, or abuse are not covered by this warranty.

Trouble Shooting Guide

Problem	Causes
1. Battery LED glows blue steadily	Low battery. Solution Recharge battery. Light will turn off automatically when battery is low.
2. No light No light, no beeps	Device malfunction. Solution Contact customer service